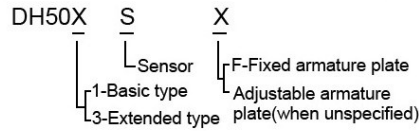


DOOR HOLDER

DH501/DH503

ORDERING INFORMATION



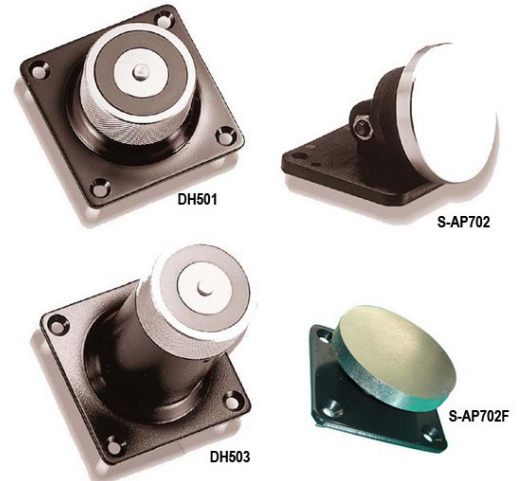
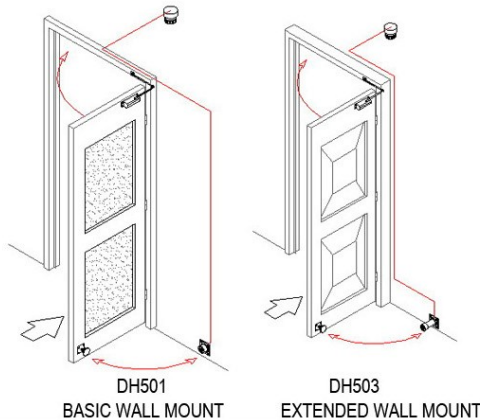
SPECIFICATIONS

- Voltage: 12VDC / 24VDC
- Current Draw: 100mA/12VDC , 50mA/24VDC
- Holding Force: about 50 KGS.
- Built-in voltage spike suppressor
- Adjustable or fixed armature plate
- Sensor: DH501 only

FEATURES

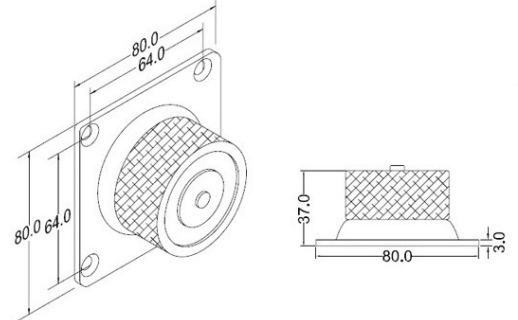
The DH series door holder is a fail-safe unit energized by a power supply installed on large-scale building, between fire escape doors. It releases the armature plate allowing the door closer to close the door when the fire prevention system detects a fire alarm or emergency.

SUGGESTED APPLICATION

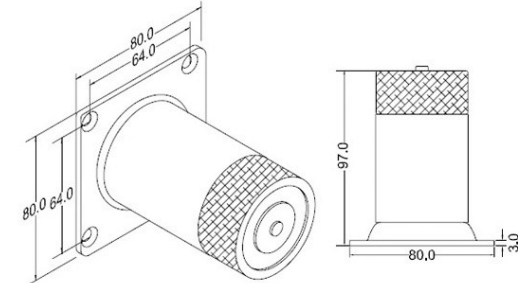


DIMENSIONS

- DH501 : 80Lx80Wx37H mm



- DH503 : 80Lx80Wx97H mm



VGSE RESERVES THE RIGHT TO CHANGE SPECIFICATIONS WITHOUT NOTICE.

Intelligent Control Systems Co., Ltd.

391 Silom Road
Bangkok 10500
Thailand
Tel: (662) 2668852-4
(662) 2665197
Fax: (662) 2665198



DMDH501/DH503/200708