

Magnetic Contact Switches

Specification:

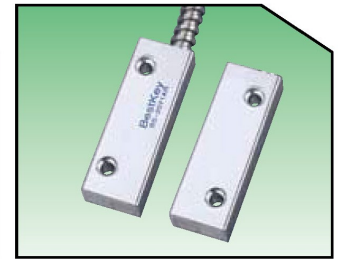
- * Metal magnetic contacts
- * Ideal for commercial application or industrial use
- * Screws included
- * Standard 18" #22AWG leads
- * 2 Conductor jacket cable on request(BS-2071J)
- * Armored cable on request (BS-2071AR)
- * Longer leads available
- * Resistor, Diode and Supervisory Loop available on request

... Surface Mounted

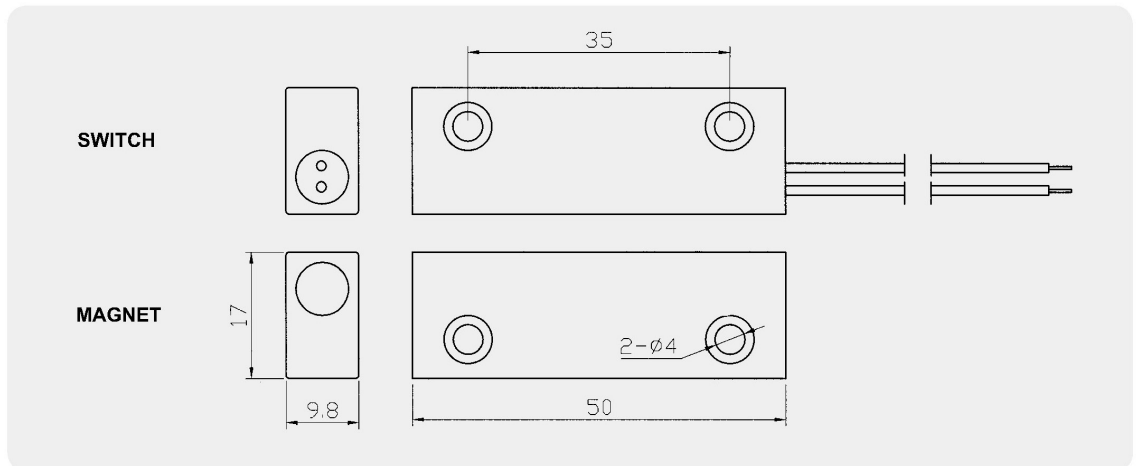
BS-2071



BS-2071AR



Dimension (mm):



Order Information:

Part Number	Loop Type	Reed Form	Closed Gap [Inch(mm)]	Depature Gap [Inch(mm)]	Maximum Initial Contact Resistance (Ohm)	Maximum Contact Rating (W)	Maximum Switching Voltage (VDC/VAC)	Maximum Switching Current (A)
BS-2071(AR)	Closed	N/O	1.5 (38)	1.65 (42)	0.150	7.5	100	0.4
BS-2071A(AR)	Open	N/C	1 ¹ / ₄ (32)		0.150	3	30	0.2
BS-2071C(AR)	Closed & Open	SPDT	1 ¹ / ₄ (32)		0.150	3	30	0.2
BS-2071D(AR)	DPDT	2SPDT	1 ¹ / ₄ (32)		0.150	3	30	0.2

Intelligent Control Systems Co., Ltd.

391 Silom Road
Bangkok 10500
Thailand
Tel: (662) 2668852-4
(662) 2665197
Fax: (662) 2665198